



## features

- Integrated flash controller
- User management
- Password protection
- Backup & Restore function
- Coordinate transformation
- flexible result conjunction



## general data

resolution	1280 × 960 px
sensor type	1/3" CCD, monochrome
external illumination	as accessory
high-resolution mode	max. 12 inspections per second
high-speed mode (limited resolution)	max. 25 inspections per second
number of jobs (products)	≤ 255
features per job	32
defect image memory	8
signal processing	Baumer FEX® 4.0
illumination	direct connection (integrated flash controller)
lens	C-mount

## electrical data

voltage supply range +Vs	18 ... 30 V DC
power consumption	typical 5 W ( $I_{max} = 1,5 \text{ A}$ at 24 V)
digital inputs	5 inputs (8 ... 30 V) trigger job selection external teach-in encoders (CH-A, CH-B) 500 kHz
digital outputs	3 outputs (PNP) Pass / Fail Flash Sync Alarm Camera Ready Output Enable
initial setup	Ethernet (10BASE-T / 100BASE-TX)
process interface	TCP UDP (Ethernet) / RS485 (supports VeriSens® Gateways)
visualization	web interface

## integrated flash controller

voltage	12 V DC or 24 V DC (permanent) 24 V DC or 48 V DC (pulsed)
current	$I_{max} = 800 \text{ mA}$ at 24 V DC (permanent) (±10 %, at least ± 100 mA, at 25 °C) $I_{max} = 4 \text{ A}$ at 48 V DC (pulsed) (+10/-20 %, at least ± 100 mA, at 25 °C)
flash time	max. 1 ms (Duty Cycle max. 1:10)

## mechanical data

width	53 mm (without lens/tube)
height	99,5 mm (without lens/tube)
depth	49,8 mm (without lens/tube)
material	housing: aluminum cover glass: PMMA
weight	≤ 300 g (without lens/tube)

## environmental conditions

operating temperature	+5 ... +50 °C
storage temperature	-20 ... +70 °C
case temperature	max. +50 °C
humidity	0 ... 90 % (non-condensing)
protection class	IP 67 (with tube)
vibration load	IEC 60068-2-6 IEC 60068-2-64
mechanical shock resistance	EN 60068-2-27

**code types**

barcode	2/5 Industrial 2/5 Interleaved Codabar Code 39 Code 93 Code 128 PharmaCode EAN 8 EAN 13 UPC-A UPC-E GS1 DataBar GS1 128
matrix code	DataMatrix (ECC 200) GS1-DataMatrix QR-Code PDF417
font	many font styles (recommended: sans serif, proportional) Dot Matrix characters: A-Z a-z 0-9 + - . : / ( )

**feature checks**

part location	part location on contours part location on edges part location on circle part location on text line
geometry	distance circle angle count edges point position edge characteristics
feature comparison	count contour points contour comparison brightness contrast area size count areas pattern comparison
identification	barcode matrix code text

**electrical connection M12 / 12-pin (on device)**



1: PWR (+18-30 V DC)	7: OUT3
2: Ground	8: IN3
3: IN1 (Trigger)	9: RS485+
4: OUT1	10: IN4
5: IN2	11: IN5
6: OUT2	12: RS485-

**Ethernet connection M12 / 4-pin (on device)**



1: TD+	3: TD-
2: RD+	4: RD-

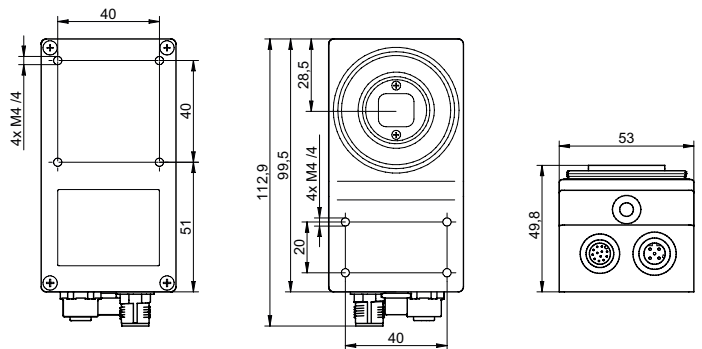
**electrical connection illumination M8 / 4-pin (on device)**



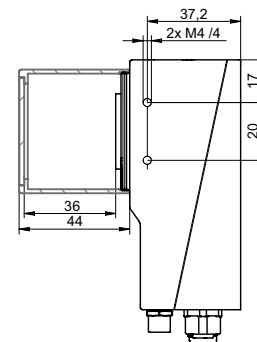
1: +24 V or +48 V Flash	3: Ground
2: +12 V or +24 V Flash	4: Flash Sync

voltage outputs configurable by software

**dimension drawing**



**C-mount support**



**XC Tube, XC Tube Module**

